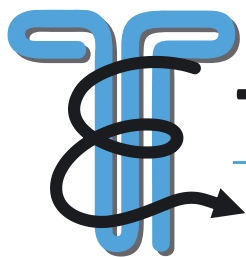


Energy



Tamuz Electronics

Energy Smart Technologies

Dear valuable customer,

Tamuz Electronics Ltd provides standard products as well as custom made and special products.

For commercial offer and technical support for these products, please contact us directly.

Kindly send us your request through the contact form at our website or at the contact details below:

Contact details:

Tamuz Electronics Ltd.

Phone: +972-9-7633000 * Fax: +972-9-7633011 * E-Mail: info@tamuz-ele.com

Web: www.tamuz-ele.com

Shipping address: 3C Hayozma St. Industrial Zone, Kfar-Saba 4442216 Israel

Mailing address: P.O Box 7124, Kfar-Saba 4464102 Israel

Products and Services:

- Tamuz Electronics Ltd. established in 1998 and specializes in the development, engineering, production, and marketing of innovative and advanced energy products, components, and innovative solutions.
The company markets and distributes innovative and advanced electrical safety components, materials and solutions which helps to prevent of fire in buildings, manufacturing equipment and energy distribution cabinets in a wide range of applications such as power stations, power distribution stations, railways and airports, hospitals, construction and infrastructure networks and electronic industries.
- Tamuz continuously develops and offers a variety of advanced solutions based on new technologies which meet the ever growing demand for alternative energy and safety products. Our tailor made and integrated solutions are designed to provide sustainable and non-stop energy supply for many years, while guaranteeing your safety.
Throughout the project, we offer comprehensive services such as: design, assembly and testing, rapid prototype development, strong technical support, professional counseling, pre-compliance testing according to safety standards and products which are UL, MIL-Std, REACH, RoHS, IEC-62133, UN38.3, CE, KERI and CTK approved.
- Tamuz has an ISO 9001 Quality Management System certificate issued by IQC and by the Dutch Accreditation Council (RvA) (Mgmt. Sys. RvA # C560).

Disclaimer:

- Technical data is subject to change without advance notice.
Consult factory for latest update specifications.
- While every precaution has been taken to ensure accuracy and completeness of this document, Tamuz Electronics assumes no responsibility and disclaims all liability for damages resulting from the use of this information or for any errors or omissions.

Tamuz customer service.



Specialized in Electrical Firestop Products

Temperature Sensitive Products



DOWNLOAD

Temperature Sensitive Insulating Cap EYECAP-SIT (A)

Specialized in Electrical Firestop Products

Key Features:

- ✓ Bare eye overheat inspection possible, without separate equipment.
- ✓ High quality installation.
- ✓ Prevention effect of power failure and fire.
- ✓ Temperature detection functions at the insulating cap (color change to white at 70°C).
- ✓ UL 94-V0 incombustible material.
- ✓ Smaller; could fit manufacturing facilities applications & machinery connections.
- ✓ Not melting on high temperature, does not generate hazardous gas.
- ✓ Dot part with irreversible color change (for E-SIT-A-50 size and above).
- ✓ Band part with reversible color change.
- ✓ Inspection with the naked eye increase efficiency and reduces 80% of the costs.
- ✓ The world first Safety Insulated Terminal Cap which made of Silicon.
- ✓ Bare eye inspection possible for the compressed part and pre-detection of improper installation with transparent insulation cap material.

Main Applications:

- Manufacturing equipment.
- Energy distribution cabinets.
- Power stations.
- Power distribution stations.
- Railways and airports.
- Hospitals.
- Buildings.
- Construction and infrastructure networks.
- Electronic industries.
- Military and Medical large scale systems.

Certifications and Standards:

- ✓ ISO 9001, CE.
- ✓ REACH, RoHS.
- ✓ KERI (ARC Resistance test).
- ✓ UL.
- ✓ CTK (Temperature test).

Maximum ratings:

- ✓ Max. Operating Voltage & Temp. : 600VRMS / 150°C

Tamuz Electronics Ltd
Tel: +972-9-7633000 , Fax: +972-9-7633011
3C Hayozma St. Industrial Zone, Kfar-Saba 4442216 Israel
P.O Box 7124, Kfar-Saba 4464102 Israel | info@tamuz-ele.com | www.tamuz-ele.com

Product view:



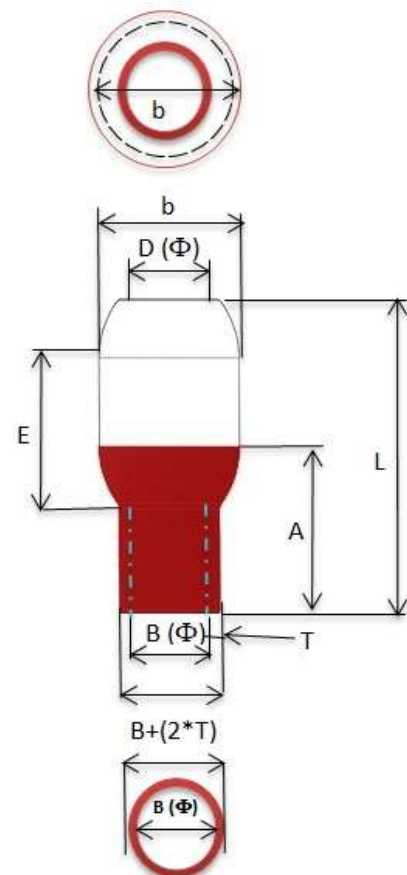
* Sizes \leq 35mm² without dot.



* Sizes \geq 50mm² with dot.

- ✓ Option colors:
Red, Blue, Yellow, Green, Black

Product drawing:



- See next page for Products list, parameters and specifications.

Temperature Sensitive Insulating Cap EYECAP-SIT (A)

Specialized in Electrical Firestop Products

EYECAP-SIT(A): Products list, parameters and specifications:

No	Tamuz p/n:	Product dimensions (mm) (Tolerances: T ± 10%, Others ± 15%)							Wire size (AWG)	Wire size (mm ²)	Color
		B	b	D	E	L	A	T			
1	E-SIT-A-1.5R	3	6.2	3.16	5.74	13.7	7.8	0.8	20~16	0.5-1.5	Red
2	E-SIT-A-1.5B	3	6.2	3.16	5.74	13.7	7.8	0.8	20~16	0.5-1.5	Blue
3	E-SIT-A-1.5Y	3	6.2	3.16	5.74	13.7	7.8	0.8	20~16	0.5-1.5	Yellow
4	E-SIT-A-1.5G	3	6.2	3.16	5.74	13.7	7.8	0.8	20~16	0.5-1.5	Green
5	E-SIT-A-1.5BK	3	6.2	3.16	5.74	13.7	7.8	0.8	20~16	0.5-1.5	Black
6	E-SIT-A-2.5R	3.7	6.9	3.83	5.74	14.4	8.7	0.8	16~14	1.5-2.5	Red
7	E-SIT-A-2.5B	3.7	6.9	3.83	5.74	14.4	8.7	0.8	16~14	1.5-2.5	Blue
8	E-SIT-A-2.5Y	3.7	6.9	3.83	5.74	14.4	8.7	0.8	16~14	1.5-2.5	Yellow
9	E-SIT-A-2.5G	3.7	6.9	3.83	5.74	14.4	8.7	0.8	16~14	1.5-2.5	Green
10	E-SIT-A-2.5BK	3.7	6.9	3.83	5.74	14.4	8.7	0.8	16~14	1.5-2.5	Black
11	E-SIT-A-4R	4.2	7.8	4.53	7.04	17	10.3	0.9	14~12	2.5-4.0	Red
12	E-SIT-A-4B	4.2	7.8	4.53	7.04	17	10.3	0.9	14~12	2.5-4.0	Blue
13	E-SIT-A-4Y	4.2	7.8	4.53	7.04	17	10.3	0.9	14~12	2.5-4.0	Yellow
14	E-SIT-A-4G	4.2	7.8	4.53	7.04	17	10.3	0.9	14~12	2.5-4.0	Green
15	E-SIT-A-4BK	4.2	7.8	4.53	7.04	17	10.3	0.9	14~12	2.5-4.0	Black
16	E-SIT-A-6R	5.19	9	5	7.99	18	10.3	1	12~10	4.0-6.0	Red
17	E-SIT-A-6B	5.19	9	5	7.99	18	10.3	1	12~10	4.0-6.0	Blue
18	E-SIT-A-6Y	5.19	9	5	7.99	18	10.3	1	12~10	4.0-6.0	Yellow
19	E-SIT-A-6G	5.19	9	5	7.99	18	10.3	1	12~10	4.0-6.0	Green
20	E-SIT-A-6BK	5.19	9	5	7.99	18	10.3	1	12~10	4.0-6.0	Black
21	E-SIT-A-10R	6.5	10.4	7.1	9.29	21	11	1.1	8	8.0-10.0	Red
22	E-SIT-A-10B	6.5	10.4	7.1	9.29	21	11	1.1	8	8.0-10.0	Blue
23	E-SIT-A-10Y	6.5	10.4	7.1	9.29	21	11	1.1	8	8.0-10.0	Yellow
24	E-SIT-A-10G	6.5	10.4	7.1	9.29	21	11	1.1	8	8.0-10.0	Green
25	E-SIT-A-10BK	6.5	10.4	7.1	9.29	21	11	1.1	8	8.0-10.0	Black
26	E-SIT-A-16R	7.7	12.8	9	10.64	24	13.3	1.15	6	13-16	Red
27	E-SIT-A-16B	7.7	12.8	9	10.64	24	13.3	1.15	6	13-16	Blue
28	E-SIT-A-16Y	7.7	12.8	9	10.64	24	13.3	1.15	6	13-16	Yellow
29	E-SIT-A-16G	7.7	12.8	9	10.64	24	13.3	1.15	6	13-16	Green
30	E-SIT-A-16BK	7.7	12.8	9	10.64	24	13.3	1.15	6	13-16	Black
31	E-SIT-A-25R	10.2	16.8	10.25	14.4	31.21	17.41	1.25	4	20-25	Red
32	E-SIT-A-25B	10.2	16.8	10.25	14.4	31.21	17.41	1.25	4	20-25	Blue
33	E-SIT-A-25Y	10.2	16.8	10.25	14.4	31.21	17.41	1.25	4	20-25	Yellow
34	E-SIT-A-25G	10.2	16.8	10.25	14.4	31.21	17.41	1.25	4	20-25	Green
35	E-SIT-A-25BK	10.2	16.8	10.25	14.4	31.21	17.41	1.25	4	20-25	Black
36	E-SIT-A-35R	10.7	17	10.71	17.48	35	18.94	1.3	3~2	25-35	Red
37	E-SIT-A-35B	10.7	17	10.71	17.48	35	18.94	1.3	3~2	25-35	Blue
38	E-SIT-A-35Y	10.7	17	10.71	17.48	35	18.94	1.3	3~2	25-35	Yellow
39	E-SIT-A-35G	10.7	17	10.71	17.48	35	18.94	1.3	3~2	25-35	Green
40	E-SIT-A-35BK	10.7	17	10.71	17.48	35	18.94	1.3	3~2	25-35	Black

Remarks:

- 1) Dot part with irreversible color change: Only for E-SIT-A-50 size and above.
- 2) Cross reference: (EYECAP p/n: EYECAP-SIT(A)-nnnaa) = (Tamuz p/n: E-SIT-A-nnnnaa).
- 3) The wire size (AWG/mm²) is for reference only. The appropriate SIT model, will be defined by the actual outer diameter and size of the wire and the terminal in use.
- 4) Dimensions are shown for reference purposes only and in millimeters unless otherwise specified.
- 5) Product specifications are subject to change without notice.

* Continue list of model E-SIT-A on the next page..

Tamuz Electronics Ltd

Tel: +972-9-7633000 , Fax: +972-9-7633011

3C Hayozma St. Industrial Zone, Kfar-Saba 4442216 Israel

P.O Box 7124, Kfar-Saba 4464102 Israel | info@tamuz-ele.com | www.tamuz-ele.com

Temperature Sensitive Insulating Cap EYECAP-SIT (A)

Specialized in Electrical Firestop Products

EYECAP-SIT(A): Products list, parameters and specifications:

No	Tamuz p/n:	Product dimensions (mm) (Tolerances: T ± 10%, Others ± 15%)							Wire size (AWG)	Wire size (mm ²)	Color
		B	b	D	E	L	A	T			
41	E-SIT-A-50R	12.8	19.2	11.6	19.99	37.7	19.1	1.5	1	40-50	Red
42	E-SIT-A-50B	12.8	19.2	11.6	19.99	37.7	19.1	1.5	1	40-50	Blue
43	E-SIT-A-50Y	12.8	19.2	11.6	19.99	37.7	19.1	1.5	1	40-50	Yellow
44	E-SIT-A-50G	12.8	19.2	11.6	19.99	37.7	19.1	1.5	1	40-50	Green
45	E-SIT-A-50BK	12.8	19.2	11.6	19.99	37.7	19.1	1.5	1	40-50	Black
46	E-SIT-A-70R	14	22.2	14.6	20.08	39	19.8	1.6	1/0	50-60	Red
47	E-SIT-A-70B	14	22.2	14.6	20.08	39	19.8	1.6	1/0	50-60	Blue
48	E-SIT-A-70Y	14	22.2	14.6	20.08	39	19.8	1.6	1/0	50-60	Yellow
49	E-SIT-A-70G	14	22.2	14.6	20.08	39	19.8	1.6	1/0	50-60	Green
50	E-SIT-A-70BK	14	22.2	14.6	20.08	39	19.8	1.6	1/0	50-60	Black
51	E-SIT-A-95R	16.1	24.28	16.6	21.94	43.5	22	1.64	2/0	60-80	Red
52	E-SIT-A-95B	16.1	24.28	16.6	21.94	43.5	22	1.64	2/0	60-80	Blue
53	E-SIT-A-95Y	16.1	24.28	16.6	21.94	43.5	22	1.64	2/0	60-80	Yellow
54	E-SIT-A-95G	16.1	24.28	16.6	21.94	43.5	22	1.64	2/0	60-80	Green
55	E-SIT-A-95BK	16.1	24.28	16.6	21.94	43.5	22	1.64	2/0	60-80	Black
56	E-SIT-A-120R	19.7	29.4	21.6	23.2	48.5	26	1.75	3/0	80-90	Red
57	E-SIT-A-120B	19.7	29.4	21.6	23.2	48.5	26	1.75	3/0	80-90	Blue
58	E-SIT-A-120Y	19.7	29.4	21.6	23.2	48.5	26	1.75	3/0	80-90	Yellow
59	E-SIT-A-120G	19.7	29.4	21.6	23.2	48.5	26	1.75	3/0	80-90	Green
60	E-SIT-A-120BK	19.7	29.4	21.6	23.2	48.5	26	1.75	3/0	80-90	Black
61	E-SIT-A-150R	20.6	31.5	23.4	31.13	56.65	28.15	1.85	4/0	100-110	Red
62	E-SIT-A-150B	20.6	31.5	23.4	31.13	56.65	28.15	1.85	4/0	100-110	Blue
63	E-SIT-A-150Y	20.6	31.5	23.4	31.13	56.65	28.15	1.85	4/0	100-110	Yellow
64	E-SIT-A-150G	20.6	31.5	23.4	31.13	56.65	28.15	1.85	4/0	100-110	Green
65	E-SIT-A-150BK	20.6	31.5	23.4	31.13	56.65	28.15	1.85	4/0	100-110	Black
66	E-SIT-A-185R	24.4	35	25.93	32.4	64	33.3	1.9	250~300Kcmil	125-160	Red
67	E-SIT-A-185B	24.4	35	25.93	32.4	64	33.3	1.9	250~300Kcmil	125-160	Blue
68	E-SIT-A-185Y	24.4	35	25.93	32.4	64	33.3	1.9	250~300Kcmil	125-160	Yellow
69	E-SIT-A-185G	24.4	35	25.93	32.4	64	33.3	1.9	250~300Kcmil	125-160	Green
70	E-SIT-A-185BK	24.4	35	25.93	32.4	64	33.3	1.9	250~300Kcmil	125-160	Black
71	E-SIT-A-240R	26.8	39.4	30.13	37.19	70	36.6	2	350~400Kcmil	175-210	Red
72	E-SIT-A-240B	26.8	39.4	30.13	37.19	70	36.6	2	350~400Kcmil	175-210	Blue
73	E-SIT-A-240Y	26.8	39.4	30.13	37.19	70	36.6	2	350~400Kcmil	175-210	Yellow
74	E-SIT-A-240G	26.8	39.4	30.13	37.19	70	36.6	2	350~400Kcmil	175-210	Green
75	E-SIT-A-240BK	26.8	39.4	30.13	37.19	70	36.6	2	350~400Kcmil	175-210	Black
76	E-SIT-A-300R	30.7	44.6	35.19	41.99	76	38.8	2.16	400~500Kcmil	190-260	Red
77	E-SIT-A-300B	30.7	44.6	35.19	41.99	76	38.8	2.16	400~500Kcmil	190-260	Blue
78	E-SIT-A-300Y	30.7	44.6	35.19	41.99	76	38.8	2.16	400~500Kcmil	190-260	Yellow
79	E-SIT-A-300G	30.7	44.6	35.19	41.99	76	38.8	2.16	400~500Kcmil	190-260	Green
80	E-SIT-A-300BK	30.7	44.6	35.19	41.99	76	38.8	2.16	400~500Kcmil	190-260	Black

Remarks:

- 1) Dot part with irreversible color change: Only for E-SIT-A-50 size and above.
- 2) Cross reference: (EYECAP p/n: EYECAP-SIT(A)-nnnaa) = (Tamuz p/n: E-SIT-A-nnaa).
- 3) The wire size (AWG/mm²) is for reference only. The appropriate SIT model, will be defined by the actual outer diameter and size of the wire and the terminal in use.
- 4) Dimensions are shown for reference purposes only and in millimeters unless otherwise specified.
- 5) Product specifications are subject to change without notice.

Temperature Sensitive Insulating Cap EYECAP-SIT (B)

Specialized in Electrical Firestop Products

Key Features:

- ✓ Bare eye overheat inspection possible, without separate equipment.
- ✓ High quality installation.
- ✓ Prevention effect of power failure and fire.
- ✓ Temperature detection functions at the insulating cap (color change at 70°C).
- ✓ UL 94-V0 incombustible material.
- ✓ Bigger; used where it needs to transmit much power such as changing line and new factory.
- ✓ Not melting on high temperature, does not generate hazardous gas.
- ✓ Dot part with irreversible color change (for E-SIT-B-50 size and above).
- ✓ Band part with reversible color change.
- ✓ Inspection with the naked eye increase efficiency and reduces 80% of the costs.
- ✓ The world first Safety Insulated Terminal Cap which made of Silicon.
- ✓ Bare eye inspection possible for the compressed part and pre-detection of improper installation with transparent insulation cap material.

Main Applications:

- Manufacturing equipment.
- Energy distribution cabinets.
- Power stations.
- Power distribution stations.
- Railways and airports.
- Hospitals.
- Buildings.
- Construction and infrastructure networks.
- Electronic industries.
- Military and Medical large scale systems.

Certifications and Standards:

- ✓ ISO 9001, CE.
- ✓ REACH, RoHS.
- ✓ KERI (ARC Resistance test).
- ✓ UL.
- ✓ CTK (Temperature test).

Maximum ratings:

- ✓ Max. Operating Voltage & Temp. : 600VRMS / 150°C

Tamuz Electronics Ltd
Tel: +972-9-7633000 , Fax: +972-9-7633011
3C Hayozma St. Industrial Zone, Kfar-Saba 4442216 Israel
P.O Box 7124, Kfar-Saba 4464102 Israel | info@tamuz-ele.com | www.tamuz-ele.com

Product view:



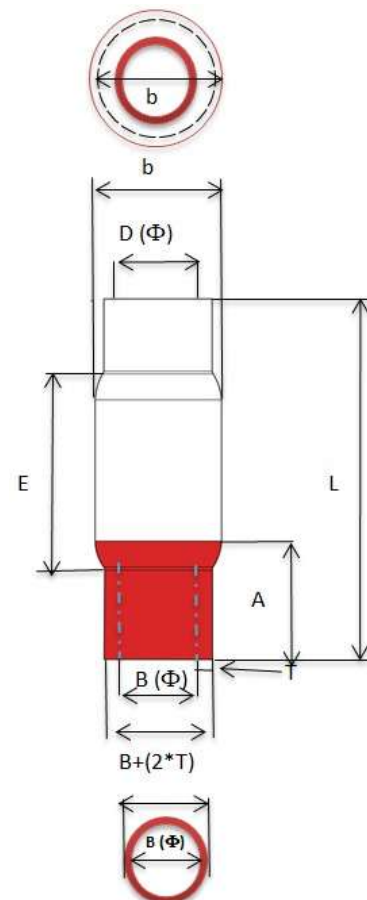
* Sizes \leq 35mm² without dot.



* Sizes \geq 50mm² with dot.

- ✓ Option colors:
Red, Blue, Yellow, Green, Black

Product drawing:



- See next page for Products list, parameters and specifications.

Temperature Sensitive Insulating Cap EYECAP-SIT (B)

Specialized in Electrical Firestop Products

EYECAP-SIT(B): Products list, parameters and specifications:

No	Tamuz p/n:	Product dimensions (mm) (Tolerances: T ± 10% , Others ± 15%)							Wire size (AWG)	Wire size (mm2)	Color
		B	b	D	E	L	A	T			
1	E-SIT-B-25R	8.5	13.9	9	14	25.5	9	1	6	13-16	Red
2	E-SIT-B-25B	8.5	13.9	9	14	25.5	9	1	6	13-16	Blue
3	E-SIT-B-25Y	8.5	13.9	9	14	25.5	9	1	6	13-16	Yellow
4	E-SIT-B-25G	8.5	13.9	9	14	25.5	9	1	6	13-16	Green
5	E-SIT-B-25BK	8.5	13.9	9	14	25.5	9	1	6	13-16	Black
6	E-SIT-B-35R	10.4	15.8	11.4	17.3	28	9.4	1.1	4	20-25	Red
7	E-SIT-B-35B	10.4	15.8	11.4	17.3	28	9.4	1.1	4	20-25	Blue
8	E-SIT-B-35Y	10.4	15.8	11.4	17.3	28	9.4	1.1	4	20-25	Yellow
9	E-SIT-B-35G	10.4	15.8	11.4	17.3	28	9.4	1.1	4	20-25	Green
10	E-SIT-B-35BK	10.4	15.8	11.4	17.3	28	9.4	1.1	4	20-25	Black
11	E-SIT-B-50R	12.2	17.6	13.2	34.3	43	9.4	1.2	2~1	30-45	Red
12	E-SIT-B-50B	12.2	17.6	13.2	34.3	43	9.4	1.2	2~1	30-45	Blue
13	E-SIT-B-50Y	12.2	17.6	13.2	34.3	43	9.4	1.2	2~1	30-45	Yellow
14	E-SIT-B-50G	12.2	17.6	13.2	34.3	43	9.4	1.2	2~1	30-45	Green
15	E-SIT-B-50BK	12.2	17.6	13.2	34.3	43	9.4	1.2	2~1	30-45	Black
16	E-SIT-B-70R	14.6	20.6	15.6	36.7	49	11.4	1.5	1/0	50-60	Red
17	E-SIT-B-70B	14.6	20.6	15.6	36.7	49	11.4	1.5	1/0	50-60	Blue
18	E-SIT-B-70Y	14.6	20.6	15.6	36.7	49	11.4	1.5	1/0	50-60	Yellow
19	E-SIT-B-70G	14.6	20.6	15.6	36.7	49	11.4	1.5	1/0	50-60	Green
20	E-SIT-B-70BK	14.6	20.6	15.6	36.7	49	11.4	1.5	1/0	50-60	Black
21	E-SIT-B-95R	17.06	23.27	17.06	36.4	57.94	15.46	1.6	2/0	60-80	Red
22	E-SIT-B-95B	17.06	23.27	17.06	36.4	57.94	15.46	1.6	2/0	60-80	Blue
23	E-SIT-B-95Y	17.06	23.27	17.06	36.4	57.94	15.46	1.6	2/0	60-80	Yellow
24	E-SIT-B-95G	17.06	23.27	17.06	36.4	57.94	15.46	1.6	2/0	60-80	Green
25	E-SIT-B-95BK	17.06	23.27	17.06	36.4	57.94	15.46	1.6	2/0	60-80	Black
26	E-SIT-B-120R	19.5	25.71	19.5	40.1	61.94	16.91	1.6	3/0	80-90	Red
27	E-SIT-B-120B	19.5	25.71	19.5	40.1	61.94	16.91	1.6	3/0	80-90	Blue
28	E-SIT-B-120Y	19.5	25.71	19.5	40.1	61.94	16.91	1.6	3/0	80-90	Yellow
29	E-SIT-B-120G	19.5	25.71	19.5	40.1	61.94	16.91	1.6	3/0	80-90	Green
30	E-SIT-B-120BK	19.5	25.71	19.5	40.1	61.94	16.91	1.6	3/0	80-90	Black

Remarks:

- 1) Dot part with irreversible color change: Only for E-SIT-B-50 size and above.
- 2) Cross reference: (EYECAP p/n: EYECAP-SIT(B)-nnnaa) = (Tamuz p/n: E-SIT-B-nnaaa).
- 3) The wire size (AWG/mm2) is for reference only. The appropriate SIT model, will be defined by the actual outer diameter and size of the wire and the terminal in use.
- 4) Dimensions are shown for reference purposes only and in millimeters unless otherwise specified.
- 5) Product specifications are subject to change without notice.

* continue list of model EYECAP-SIT(B) on the next page..

Temperature Sensitive Insulating Cap EYECAP-SIT (B)

Specialized in Electrical Firestop Products

EYECAP-SIT(B): Products list, parameters and specifications:

No	Tamuz p/n:	Product dimensions (mm) (Tolerances: T ± 10% , Others ± 15%)							Wire size (AWG)	Wire size (mm ²)	Color
		B	b	D	L	A	T	T			
31	E-SIT-B-150R	21.72	28.21	21.8	40.1	67.5	22	1.7	4/0~250Kcmil	100-135	Red
32	E-SIT-B-150B	21.72	28.21	21.8	40.1	67.5	22	1.7	4/0~250Kcmil	100-135	Blue
33	E-SIT-B-150Y	21.72	28.21	21.8	40.1	67.5	22	1.7	4/0~250Kcmil	100-135	Yellow
34	E-SIT-B-150G	21.72	28.21	21.8	40.1	67.5	22	1.7	4/0~250Kcmil	100-135	Green
35	E-SIT-B-150BK	21.72	28.21	21.8	40.1	67.5	22	1.7	4/0~250Kcmil	100-135	Black
36	E-SIT-B-185R	24.3	31.7	24.3	48.6	76.2	23.59	1.7	300Kcmil	145-160	Red
37	E-SIT-B-185B	24.3	31.7	24.3	48.6	76.2	23.59	1.7	300Kcmil	145-160	Blue
38	E-SIT-B-185Y	24.3	31.7	24.3	48.6	76.2	23.59	1.7	300Kcmil	145-160	Yellow
39	E-SIT-B-185G	24.3	31.7	24.3	48.6	76.2	23.59	1.7	300Kcmil	145-160	Green
40	E-SIT-B-185BK	24.3	31.7	24.3	48.6	76.2	23.59	1.7	300Kcmil	145-160	Black
41	E-SIT-B-240R	28.9	36.1	28.9	54.5	85.5	25.59	1.8	350~400Kcmil	175-210	Red
42	E-SIT-B-240B	28.9	36.1	28.9	54.5	85.5	25.59	1.8	350~400Kcmil	175-210	Blue
43	E-SIT-B-240Y	28.9	36.1	28.9	54.5	85.5	25.59	1.8	350~400Kcmil	175-210	Yellow
44	E-SIT-B-240G	28.9	36.1	28.9	54.5	85.5	25.59	1.8	350~400Kcmil	175-210	Green
45	E-SIT-B-240BK	28.9	36.1	28.9	54.5	85.5	25.59	1.8	350~400Kcmil	175-210	Black
46	E-SIT-B-300R	30.82	39.2	30.82	66.5	95.28	27.46	1.9	450~500Kcmil	225-260	Red
47	E-SIT-B-300B	30.82	39.2	30.82	66.5	95.28	27.46	1.9	450~500Kcmil	225-260	Blue
48	E-SIT-B-300Y	30.82	39.2	30.82	66.5	95.28	27.46	1.9	450~500Kcmil	225-260	Yellow
49	E-SIT-B-300G	30.82	39.2	30.82	66.5	95.28	27.46	1.9	450~500Kcmil	225-260	Green
50	E-SIT-B-300BK	30.82	39.2	30.82	66.5	95.28	27.46	1.9	450~500Kcmil	225-260	Black
51	E-SIT-B-400R	34.4	42.8	34.4	72.7	101	30.12	2.1	550~650Kcmil	270-330	Red
52	E-SIT-B-400B	34.4	42.8	34.4	72.7	101	30.12	2.1	550~650Kcmil	270-330	Blue
53	E-SIT-B-400Y	34.4	42.8	34.4	72.7	101	30.12	2.1	550~650Kcmil	270-330	Yellow
54	E-SIT-B-400G	34.4	42.8	34.4	72.7	101	30.12	2.1	550~650Kcmil	270-330	Green
55	E-SIT-B-400BK	34.4	42.8	34.4	72.7	101	30.12	2.1	550~650Kcmil	270-330	Black
56	E-SIT-B-500R	38.12	49.6	39.5	79.1	107	31.67	2.4	700~800Kcmil	350-410	Red
57	E-SIT-B-500B	38.12	49.6	39.5	79.1	107	31.67	2.4	700~800Kcmil	350-410	Blue
58	E-SIT-B-500Y	38.12	49.6	39.5	79.1	107	31.67	2.4	700~800Kcmil	350-410	Yellow
59	E-SIT-B-500G	38.12	49.6	39.5	79.1	107	31.67	2.4	700~800Kcmil	350-410	Green
60	E-SIT-B-500BK	38.12	49.6	39.5	79.1	107	31.67	2.4	700~800Kcmil	350-410	Black

Remarks:

- 1) Dot part with irreversible color change: Only for E-SIT-B-50 size and above.
- 2) Cross reference: (EYECAP p/n: EYECAP-SIT(B)-nnaaa) = (Tamuz p/n: E-SIT-B-nnaaa).
- 3) The wire size (AWG/mm²) is for reference only. The appropriate SIT model, will be defined by the actual outer diameter and size of the wire and the terminal in use.
- 4) Dimensions are shown for reference purposes only and in millimeters unless otherwise specified.
- 5) Product specifications are subject to change without notice.

Temperature Sensitive Insulating Cap EYECAP-SIT (C)

Specialized in Electrical Firestop Products

Key Features:

- ✓ Bare eye overheat inspection possible, without separate equipment.
- ✓ High quality installation.
- ✓ Prevention effect of power failure and fire.
- ✓ Temperature detection functions at the insulating cap (color change at 70°C).
- ✓ UL 94-V0 incombustible material.
- ✓ Bigger; used where it needs to transmit much power such as changing line and new factory.
- ✓ Not melting on high temperature, does not generate hazardous gas.
- ✓ Dot part with irreversible color change (for E-SIT-C-50 size and above).
- ✓ Band part with reversible color change.
- ✓ Inspection with the naked eye increase efficiency and reduces 80% of the costs.
- ✓ The world first Safety Insulated Terminal Cap which made of Silicon.
- ✓ Bare eye inspection possible for the compressed part and pre-detection of improper installation with transparent insulation cap material.

Main Applications:

- Manufacturing equipment.
- Energy distribution cabinets.
- Power stations.
- Power distribution stations.
- Railways and airports.
- Hospitals.
- Buildings.
- Construction and infrastructure networks.
- Electronic industries.
- Military and Medical large scale systems.

Certifications and Standards:

- ✓ ISO 9001, CE.
- ✓ CTK (Temperature test).

Maximum ratings:

- ✓ Max. Operating Voltage & Temp. : 600VRMS / 150°C

Tamuz Electronics Ltd
Tel: +972-9-7633000 , Fax: +972-9-7633011
3C Hayozma St. Industrial Zone, Kfar-Saba 4442216 Israel
P.O Box 7124, Kfar-Saba 4464102 Israel | info@tamuz-ele.com | www.tamuz-ele.com

Product view:



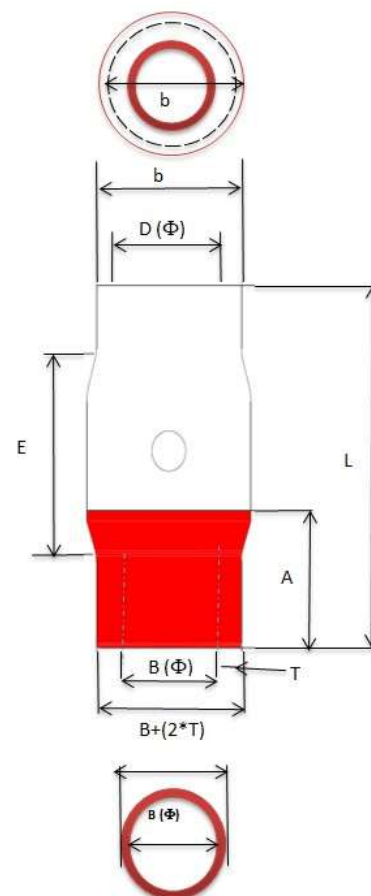
* Sizes \leq 35mm² without dot.



* Sizes \geq 50mm² with dot.

- ✓ Option colors:
Red, Blue, Yellow, Green, Black

Product drawing:



- See next page for Products list, parameters and specifications.

Temperature Sensitive Insulating Cap EYECAP-SIT (C)

Specialized in Electrical Firestop Products

EYECAP-SIT(C): Products list, parameters and specifications:

No	Tamuz p/n:	Product dimensions (mm) (Tolerances: T ± 10% , Others ± 15%)							Wire size (AWG)	Wire size (mm ²)	Color
		B	b	D	E	L	A	T			
1	E-SIT-C-25R	9	14.4	9	17.15	25.5	9	1.2	6	13-16	Red
2	E-SIT-C-25B	9	14.4	9	17.15	25.5	9	1.2	6	13-16	Blue
3	E-SIT-C-25Y	9	14.4	9	17.15	25.5	9	1.2	6	13-16	Yellow
4	E-SIT-C-25G	9	14.4	9	17.15	25.5	9	1.2	6	13-16	Green
5	E-SIT-C-25BK	9	14.4	9	17.15	25.5	9	1.2	6	13-16	Black
6	E-SIT-C-35R	11.4	16.1	10.7	18.61	28	9.5	1.2	4	20-25	Red
7	E-SIT-C-35B	11.4	16.1	10.7	18.61	28	9.5	1.2	4	20-25	Blue
8	E-SIT-C-35Y	11.4	16.1	10.7	18.61	28	9.5	1.2	4	20-25	Yellow
9	E-SIT-C-35G	11.4	16.1	10.7	18.61	28	9.5	1.2	4	20-25	Green
10	E-SIT-C-35BK	11.4	16.1	10.7	18.61	28	9.5	1.2	4	20-25	Black
11	E-SIT-C-50R	12.6	18.1	12.1	20.25	34	12.5	1.5	2~1	30-45	Red
12	E-SIT-C-50B	12.6	18.1	12.1	20.25	34	12.5	1.5	2~1	30-45	Blue
13	E-SIT-C-50Y	12.6	18.1	12.1	20.25	34	12.5	1.5	2~1	30-45	Yellow
14	E-SIT-C-50G	12.6	18.1	12.1	20.25	34	12.5	1.5	2~1	30-45	Green
15	E-SIT-C-50BK	12.6	18.1	12.1	20.25	34	12.5	1.5	2~1	30-45	Black
16	E-SIT-C-70R	15.36	21.3	15.06	25.14	39	14	1.5	1/0	50-60	Red
17	E-SIT-C-70B	15.36	21.3	15.06	25.14	39	14	1.5	1/0	50-60	Blue
18	E-SIT-C-70Y	15.36	21.3	15.06	25.14	39	14	1.5	1/0	50-60	Yellow
19	E-SIT-C-70G	15.36	21.3	15.06	25.14	39	14	1.5	1/0	50-60	Green
20	E-SIT-C-70BK	15.36	21.3	15.06	25.14	39	14	1.5	1/0	50-60	Black
21	E-SIT-C-95R	16.96	23.71	17.5	26.95	44.27	17.27	1.6	2/0	60-80	Red
22	E-SIT-C-95B	16.96	23.71	17.5	26.95	44.27	17.27	1.6	2/0	60-80	Blue
23	E-SIT-C-95Y	16.96	23.71	17.5	26.95	44.27	17.27	1.6	2/0	60-80	Yellow
24	E-SIT-C-95G	16.96	23.71	17.5	26.95	44.27	17.27	1.6	2/0	60-80	Green
25	E-SIT-C-95BK	16.96	23.71	17.5	26.95	44.27	17.27	1.6	2/0	60-80	Black

Remarks:

- 1) Dot part with irreversible color change: Only for E-SIT-C-50 size and above.
- 2) Cross reference: (EYECAP p/n: EYECAP-SIT(C)-nnnaa) = (Tamuz p/n: E-SIT-C-nnnaa).
- 3) The wire size (AWG/mm²) is for reference only. The appropriate SIT model, will be defined by the actual outer diameter and size of the wire and the terminal in use.
- 4) Dimensions are shown for reference purposes only and in millimeters unless otherwise specified.
- 5) Product specifications are subject to change without notice.

* continue list of model EYECAP-SIT(C) on the next page..

EYECAP-SIT(C): Products list, parameters and specifications:

No	Tamuz p/n:	Product dimensions (mm) (Tolerances: T ± 10% , Others ± 15%)							Wire size (AWG)	Wire size (mm ²)	Color
		B	b	D	E	L	A	T			
26	E-SIT-C-120R	19.6	26.21	20	29.22	48.5	18.7	1.6	3/0	80-90	Red
27	E-SIT-C-120B	19.6	26.21	20	29.22	48.5	18.7	1.6	3/0	80-90	Blue
28	E-SIT-C-120Y	19.6	26.21	20	29.22	48.5	18.7	1.6	3/0	80-90	Yellow
29	E-SIT-C-120G	19.6	26.21	20	29.22	48.5	18.7	1.6	3/0	80-90	Green
30	E-SIT-C-120BK	19.6	26.21	20	29.22	48.5	18.7	1.6	3/0	80-90	Black
31	E-SIT-C-150R	21.98	28.39	21.9	33.16	55	21	1.7	4/0~250Kcmil	100-135	Red
32	E-SIT-C-150B	21.98	28.39	21.9	33.16	55	21	1.7	4/0~250Kcmil	100-135	Blue
33	E-SIT-C-150Y	21.98	28.39	21.9	33.16	55	21	1.7	4/0~250Kcmil	100-135	Yellow
34	E-SIT-C-150G	21.98	28.39	21.9	33.16	55	21	1.7	4/0~250Kcmil	100-135	Green
35	E-SIT-C-150BK	21.98	28.39	21.9	33.16	55	21	1.7	4/0~250Kcmil	100-135	Black
36	E-SIT-C-185R	24.6	31.7	24.6	33.31	56.9	21.5	1.7	300Kcmil	145-160	Red
37	E-SIT-C-185B	24.6	31.7	24.6	33.31	56.9	21.5	1.7	300Kcmil	145-160	Blue
38	E-SIT-C-185Y	24.6	31.7	24.6	33.31	56.9	21.5	1.7	300Kcmil	145-160	Yellow
39	E-SIT-C-185G	24.6	31.7	24.6	33.31	56.9	21.5	1.7	300Kcmil	145-160	Green
40	E-SIT-C-185BK	24.6	31.7	24.6	33.31	56.9	21.5	1.7	300Kcmil	145-160	Black
41	E-SIT-C-240R	29.2	36.64	29.74	36.61	64	24.2	1.8	350~400Kcmil	175-210	Red
42	E-SIT-C-240B	29.2	36.64	29.74	36.61	64	24.2	1.8	350~400Kcmil	175-210	Blue
43	E-SIT-C-240Y	29.2	36.64	29.74	36.61	64	24.2	1.8	350~400Kcmil	175-210	Yellow
44	E-SIT-C-240G	29.2	36.64	29.74	36.61	64	24.2	1.8	350~400Kcmil	175-210	Green
45	E-SIT-C-240BK	29.2	36.64	29.74	36.61	64	24.2	1.8	350~400Kcmil	175-210	Black
46	E-SIT-C-300R	30.82	39	30.82	40.49	72.96	27.66	1.9	450~500Kcmil	225-260	Red
47	E-SIT-C-300B	30.82	39	30.82	40.49	72.96	27.66	1.9	450~500Kcmil	225-260	Blue
48	E-SIT-C-300Y	30.82	39	30.82	40.49	72.96	27.66	1.9	450~500Kcmil	225-260	Yellow
49	E-SIT-C-300G	30.82	39	30.82	40.49	72.96	27.66	1.9	450~500Kcmil	225-260	Green
50	E-SIT-C-300BK	30.82	39	30.82	40.49	72.96	27.66	1.9	450~500Kcmil	225-260	Black

Remarks:

- 1) Dot part with irreversible color change: Only for E-SIT-C-50 size and above.
- 2) Cross reference: (EYECAP p/n: EYECAP-SIT(C)-nnnaa) = (Tamuz p/n: E-SIT-C-nnnaa).
- 3) The wire size (AWG/mm²) is for reference only. The appropriate SIT model, will be defined by the actual outer diameter and size of the wire and the terminal in use.
- 4) Dimensions are shown for reference purposes only and in millimeters unless otherwise specified.
- 5) Product specifications are subject to change without notice.

Temperature Sensitive Washer EYECAP-WT

Specialized in Electrical Firestop Products

Key Features:

- ✓ Bare eye overhear inspection possible for the colored part without separate equipment for pre-detection of improper installation.
- ✓ High quality installation.
- ✓ Prevention effect of power failure and fire.
- ✓ Temperature detection functions at the washer insulation ring (color change to white at 50°C).
- ✓ UL 94-V0 incombustible material.
- ✓ Smaller; could fit manufacturing facilities applications & machinery connections.
- ✓ Not melting on high temperature, does not generate hazardous gas.
- ✓ Overheat detection by temperature sensitive outer circle part with reversible color change.
- ✓ Inspection with the naked eye increase efficiency and reduces 80% of the costs.
- ✓ The world first safety Temperature Sensitive Washer which made of Silicon.
- ✓ Detection of Thermal burn on all connected parts with bolts, such as booth-duct, booth-bar, power distribution panel.
- ✓ One system with bolt and nut avoid any detachment by traditional thermal tape and prevention of accident at a glance.

Main Applications:

- Manufacturing equipment.
- Energy distribution cabinets.
- Power stations.
- Power distribution stations.
- Railways and airports.
- Hospitals.
- Buildings.
- Construction and infrastructure networks.
- Electronic industries.
- Military and Medical large scale systems.

Certifications and Standards:

- ✓ ISO 9001, CE.
- ✓ REACH, RoHS.
- ✓ KERI (ARC Resistance test).
- ✓ CTK (Temperature test).

Maximum ratings:

- ✓ Max. Operating Temp. : 150°C

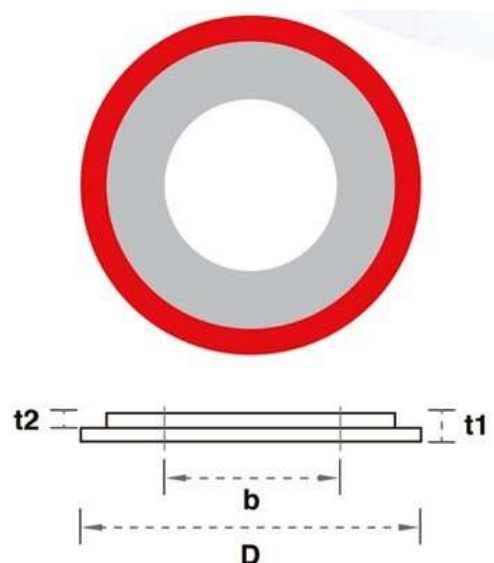
Tamuz Electronics Ltd
Tel: +972-9-7633000 , Fax: +972-9-7633011
3C Hayozma St. Industrial Zone, Kfar-Saba 4442216 Israel
P.O Box 7124, Kfar-Saba 4464102 Israel | info@tamuz-ele.com | www.tamuz-ele.com

Product view:



- ✓ Option colors:
Red, Blue, Yellow, Black

Product drawing:



- See next page for Products list, parameters and specifications.

EYECAP-Washer: Products list, parameters and specifications:

No	Tamuz p/n:	Product dimensions (mm) (Tolerances: T ± 10%)				Color
		D	b	t1	t2	
1	E-WT-8R	17.0	8.2	3.0	1.5	Red
2	E-WT-8B	17.0	8.2	3.0	1.5	Blue
3	E-WT-8Y	17.0	8.2	3.0	1.5	Yellow
4	E-WT-8BK	17.0	8.2	3.0	1.5	Black
5	E-WT-10R	23.0	10.2	3.0	1.5	Red
6	E-WT-10B	23.0	10.2	3.0	1.5	Blue
7	E-WT-10Y	23.0	10.2	3.0	1.5	Yellow
8	E-WT-10BK	23.0	10.2	3.0	1.5	Black
9	E-WT-12R	26.0	12.2	3.0	1.5	Red
10	E-WT-12B	26.0	12.2	3.0	1.5	Blue
11	E-WT-12Y	26.0	12.2	3.0	1.5	Yellow
12	E-WT-12BK	26.0	12.2	3.0	1.5	Black
13	E-WT-14R	32.0	14.2	3.0	1.5	Red
14	E-WT-14B	32.0	14.2	3.0	1.5	Blue
15	E-WT-14Y	32.0	14.2	3.0	1.5	Yellow
16	E-WT-14BK	32.0	14.2	3.0	1.5	Black
17	E-WT-16R	32.0	16.2	3.0	1.5	Red
18	E-WT-16B	32.0	16.2	3.0	1.5	Blue
19	E-WT-16Y	32.0	16.2	3.0	1.5	Yellow
20	E-WT-16BK	32.0	16.2	3.0	1.5	Black

Remarks:

- 1) Cross reference: (EYECAP p/n: EYECAP-WT-nnaa) = (Tamuz p/n: E-WT-nnaa).
- 2) The screw size (mm) is for reference only. The appropriate WT model, will be defined by the actual screw diameter and size of the terminal in use.
- 3) Dimensions are shown for reference purposes only and in millimeters unless otherwise specified.
- 4) Product specifications are subject to change without notice.

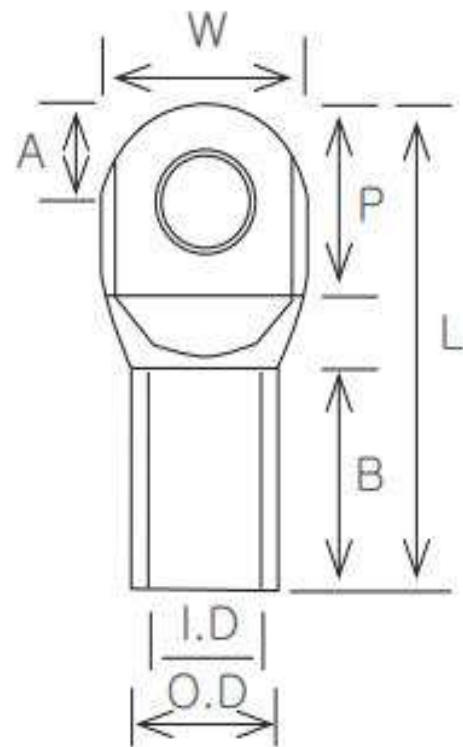
Temperature Sensitive Terminal EYECAP-CPT-1H

Specialized in Electrical Firestop Products

Key Features:

- ✓ Bare eye overhear inspection possible for the colored part without separate equipment for pre-detection of improper installation.
- ✓ Prevention effect of power failure and fire.
- ✓ Temperature detection functions at the terminal lug (color change to white at 50°C).
- ✓ UL 94-V0 incombustible material.
- ✓ Not melting on high temperature, does not generate hazardous gas.
- ✓ Overheat detection by temperature sensitive inner part with reversible color change.
- ✓ Inspection with the naked eye increase efficiency and reduces 80% of the costs.
- ✓ The world first safety Temperature Sensitive Terminal which made of Silicon.
- ✓ Detection of Thermal burn on wire to terminal connection parts, such as wire harness at power distribution panel.
- ✓ One system with terminal and silicon part which is sensitive to temperature to prevent accident at a glance.

Product view:



Main Applications:

- Manufacturing equipment.
- Energy distribution cabinets.
- Power stations.
- Power distribution stations.
- Railways and airports.
- Hospitals.
- Buildings.
- Construction and infrastructure networks.
- Electronic industries.
- Military and Medical large scale systems.

Certifications and Standards:

- ✓ ISO 9001, CE.
- ✓ REACH, RoHS.
- ✓ KERI (ARC Resistance test).
- ✓ CTK (Temperature test).

Maximum ratings:

- ✓ Max. Operating Temp. : 150°C

- See next page for Products list, parameters and specifications.

EYECAP-Tubular Terminal Lug for temperature change - 1Hole: Products list, parameters and specifications:

No	Tamuz p/n:	Product dimensions (mm) (Tolerances: ID/OD \pm 0.1mm , Others \pm 0.5mm)								Color	Packing (pcs/bag)
		I.D	O.D	L	B	W	P	A	Hole(pi)		
1	E-CPT1H-25R	6.7	9	37	15	13	18	8	8.4	Red	100
2	E-CPT1H-25B	6.7	9	37	15	13	18	8	8.4	Blue	100
3	E-CPT1H-25Y	6.7	9	37	15	13	18	8	8.4	Yellow	100
4	E-CPT1H-25G	6.7	9	37	15	13	18	8	8.4	Green	100
5	E-CPT1H-25BK	6.7	9	37	15	13	18	8	8.4	Black	100
6	E-CPT1H-35R	8.1	10.5	43	17	15	21	10	10.4	Red	100
7	E-CPT1H-35B	8.1	10.5	43	17	15	21	10	10.4	Blue	100
8	E-CPT1H-35Y	8.1	10.5	43	17	15	21	10	10.4	Yellow	100
9	E-CPT1H-35G	8.1	10.5	43	17	15	21	10	10.4	Green	100
10	E-CPT1H-35BK	8.1	10.5	43	17	15	21	10	10.4	Black	100
11	E-CPT1H-50R	9.5	12	48	20	17	22	10	10.4	Red	100
12	E-CPT1H-50B	9.5	12	48	20	17	22	10	10.4	Blue	100
13	E-CPT1H-50Y	9.5	12	48	20	17	22	10	10.4	Yellow	100
14	E-CPT1H-50G	9.5	12	48	20	17	22	10	10.4	Green	100
15	E-CPT1H-50BK	9.5	12	48	20	17	22	10	10.4	Black	100
16	E-CPT1H-70R	11.3	14.5	55	23	21	25	13	10.4	Red	50
17	E-CPT1H-70B	11.3	14.5	55	23	21	25	13	10.4	Blue	50
18	E-CPT1H-70Y	11.3	14.5	55	23	21	25	13	10.4	Yellow	50
19	E-CPT1H-70G	11.3	14.5	55	23	21	25	13	10.4	Green	50
20	E-CPT1H-70BK	11.3	14.5	55	23	21	25	13	10.4	Black	50
21	E-CPT1H-95R	13.5	17	61	25	24.5	28	13	13	Red	50
22	E-CPT1H-95B	13.5	17	61	25	24.5	28	13	13	Blue	50
23	E-CPT1H-95Y	13.5	17	61	25	24.5	28	13	13	Yellow	50
24	E-CPT1H-95G	13.5	17	61	25	24.5	28	13	13	Green	50
25	E-CPT1H-95BK	13.5	17	61	25	24.5	28	13	13	Black	50
26	E-CPT1H-120R	15.2	19	64	28	28.5	28	14	13	Red	30
27	E-CPT1H-120B	15.2	19	64	28	28.5	28	14	13	Blue	30
28	E-CPT1H-120Y	15.2	19	64	28	28.5	28	14	13	Yellow	30
29	E-CPT1H-120G	15.2	19	64	28	28.5	28	14	13	Green	30
30	E-CPT1H-120BK	15.2	19	64	28	28.5	28	14	13	Black	30

Remarks:

- 1) Cross reference: (EYECAP p/n: EYECAP-CPT(1H)nnnaa) = (Tamuz p/n: E-CPT1H-nnaa).
- 2) The terminal size (mm) is for reference only.
- 3) Dimensions are shown for reference purposes only and in millimeters unless otherwise specified.
- 4) Product specifications are subject to change without notice.

* Continue list of model E-CPT1H on the next page..

EYECAP-Tubular Terminal Lug for temperature change - 1Hole: Products list, parameters and specifications:

No	Tamuz p/n:	Product dimensions (mm) (Tolerances: ID/OD \pm 0.1mm , Others \pm 0.5mm)								Color	Packing (pcs/bag)
		I.D	O.D	L	B	W	P	A	Hole(pi)		
31	E-CPT1H-150R	17	21	75	32	30.5	33	15	13	Red	30
32	E-CPT1H-150B	17	21	75	32	30.5	33	15	13	Blue	30
33	E-CPT1H-150Y	17	21	75	32	30.5	33	15	13	Yellow	30
34	E-CPT1H-150G	17	21	75	32	30.5	33	15	13	Green	30
35	E-CPT1H-150BK	17	21	75	32	30.5	33	15	13	Black	30
36	E-CPT1H-185R	19	23.5	80	34	34	34	15	13	Red	20
37	E-CPT1H-185B	19	23.5	80	34	34	34	15	13	Blue	20
38	E-CPT1H-185Y	19	23.5	80	34	34	34	15	13	Yellow	20
39	E-CPT1H-185G	19	23.5	80	34	34	34	15	13	Green	20
40	E-CPT1H-185BK	19	23.5	80	34	34	34	15	13	Black	20
41	E-CPT1H-240R	22	28	87	38	40	36	16	13	Red	10
42	E-CPT1H-240B	22	28	87	38	40	36	16	13	Blue	10
43	E-CPT1H-240Y	22	28	87	38	40	36	16	13	Yellow	10
44	E-CPT1H-240G	22	28	87	38	40	36	16	13	Green	10
45	E-CPT1H-240BK	22	28	87	38	40	36	16	13	Black	10
46	E-CPT1H-300R	24	30.5	100	43	44	43	19	13	Red	10
47	E-CPT1H-300B	24	30.5	100	43	44	43	19	13	Blue	10
48	E-CPT1H-300Y	24	30.5	100	43	44	43	19	13	Yellow	10
49	E-CPT1H-300G	24	30.5	100	43	44	43	19	13	Green	10
50	E-CPT1H-300BK	24	30.5	100	43	44	43	19	13	Black	10
51	E-CPT1H-400R	26	34	109	50	48	45	19	13	Red	10
52	E-CPT1H-400B	26	34	109	50	48	45	19	13	Blue	10
53	E-CPT1H-400Y	26	34	109	50	48	45	19	13	Yellow	10
54	E-CPT1H-400G	26	34	109	50	48	45	19	13	Green	10
55	E-CPT1H-400BK	26	34	109	50	48	45	19	13	Black	10

Remarks:

- 1) Cross reference: (EYECAP p/n: EYECAP-CPT(1H)nnaa) = (Tamuz p/n: E-CPT1H-nnaa).
- 2) The terminal size (mm) is for reference only.
- 3) Dimensions are shown for reference purposes only and in millimeters unless otherwise specified.
- 4) Product specifications are subject to change without notice.

Specialized in Electrical Firestop Products

Tamuz Electronics offers a wide range of Fireproof Materials & Parts.

A) Insulation Cap for Overheat detection:
EYECAP- SIT(A), SIT(B), SIT(C), SIT(BT)



B) Tubular Terminal & Washer for Overheat detection:
EYECAP -CPT , CP, WT



C) Fire Zero:
PLM-Panel Mat, EPC-PROOF, TYM-Tray Mat.

